

4

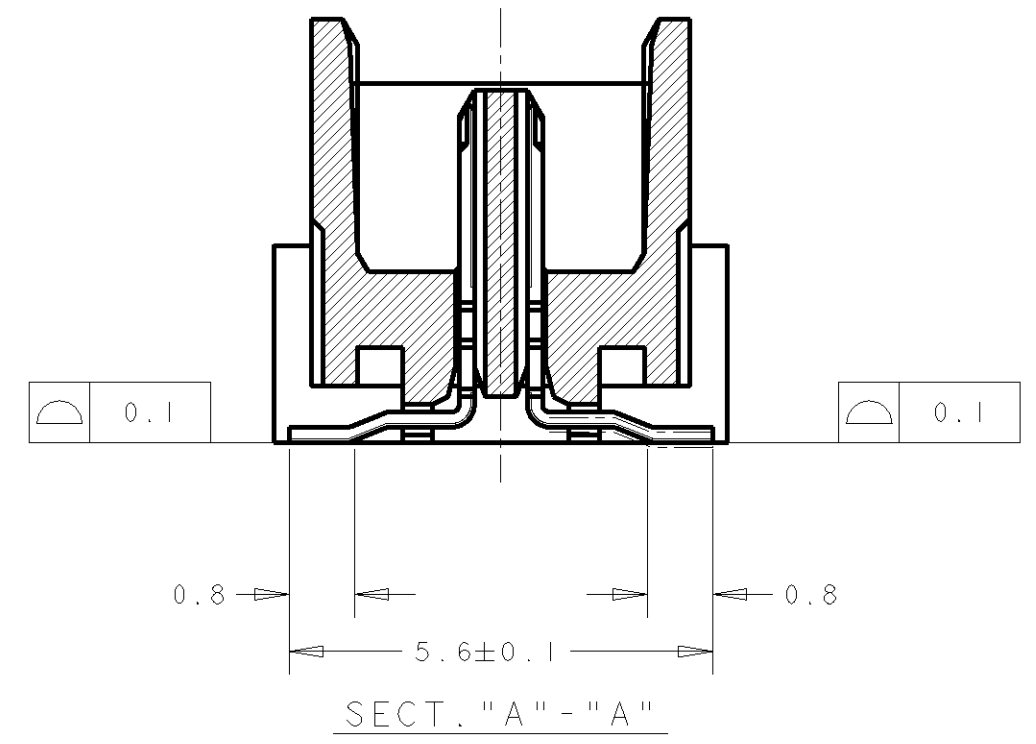
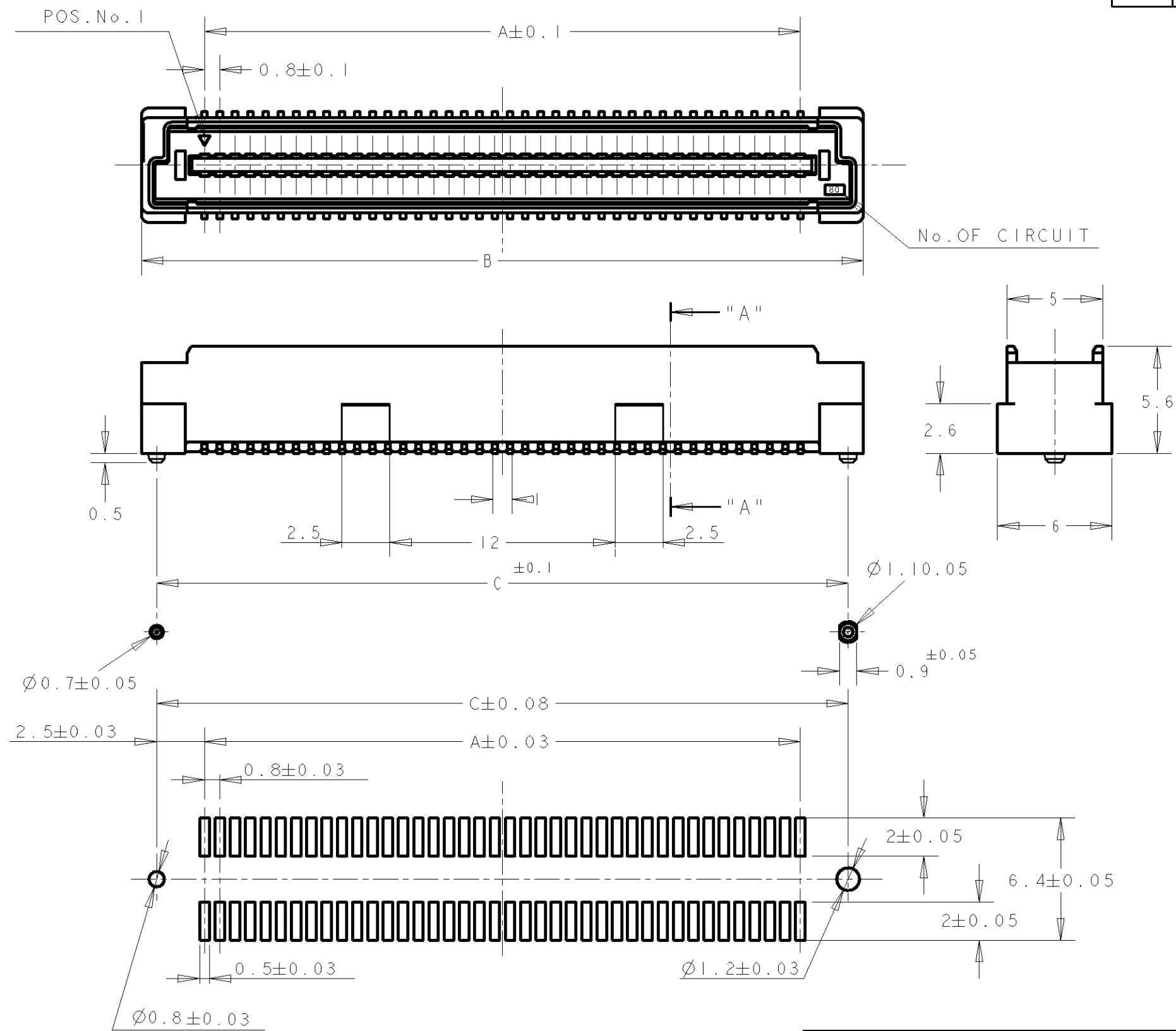
3

2

1

THIS DRAWING IS UNPUBLISHED. RELEASED FOR PUBLICATION .19 .  
 © COPYRIGHT 19 BY AMP INCORPORATED. ALL RIGHTS RESERVED.

LOC	DIST	REVISIONS			
P	LTR	DESCRIPTION	DATE	DWN	APVD
DY	-	K REVISED ECR-05-010514	07SEP05	SYJ	LSF



- NOTES:
- 1. MATERIAL; HOUSING: L.C.P (HIGH TEMP THERMO PLASTIC) UL 94V-0, NATURAL. CONTACT: BRASS.
  - 2. FINISH; CONTACT AREA: 0.0002 MIN GOLD ON 0.0013 MIN ALL OVER NICKEL. SOLDERING AREA: 0.001 MIN TIN-LEAD.
  - 3. POSITION SERIES; SEE TABLE.
  - 4. CONN STACK HEIGHT COMBINE OF PLUG "Y" H VS REC "X" H. STACK HEIGHT = Y + X - 5

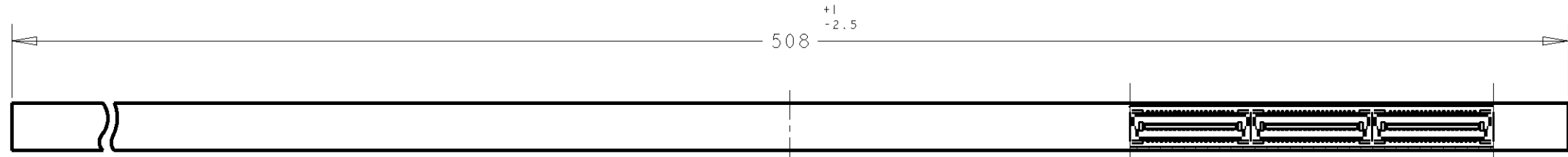
RECOMMENDED P.C. BOARD LAYOUT

P/N SEE SHEET 2 OF 2.

THIS DRAWING IS A CONTROLLED DOCUMENT FOR AMP INCORPORATED. IT IS SUBJECT TO CHANGE AND THE CONTROLLING ENGINEERING ORGANIZATION SHOULD BE CONTACTED FOR THE LATEST REVISION.		DWN T. KUSUHARA 30MAR93	AMP MANUFACTURING (SINGAPORE) PTE. LTD.
		CHK I. ENOMOTO 30MAR93	
DIMENSIONS: mm		APVD ERIC TNG	NAME PLUG ASSEMBLY 6H TYPE (0.5 BOSS LENGTH) FOR FH 0.8mm PITCH B-T-B CONNECTOR
TOLERANCES UNLESS OTHERWISE SPECIFIED:		PRODUCT SPEC -	SIZE A3
0 PLC ±- 1 PLC ±0.20 2 PLC ±0.25 3 PLC ±0.30 4 PLC ±- ANGLES ±3°		APPLICATION SPEC -	CAGE CODE 00779
MATERIAL	FINISH	WEIGHT -	DRAWING NO C-179029
		CUSTOMER DRAWING	SCALE 4:1 SHEET 1 OF 2 REV K

THIS DRAWING IS UNPUBLISHED. RELEASED FOR PUBLICATION .19 .  
 © COPYRIGHT 19 BY AMP INCORPORATED. ALL RIGHTS RESERVED.

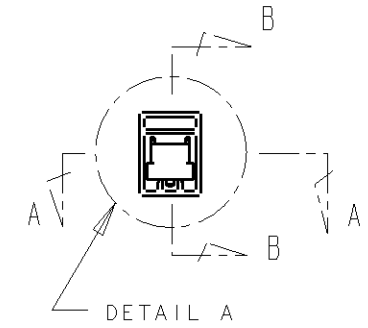
LOC	DIST	REVISIONS			
P	LTR	DESCRIPTION	DATE	DWN	APVD
DY	-	- SEE SHEET 1 OF 2	-	-	-



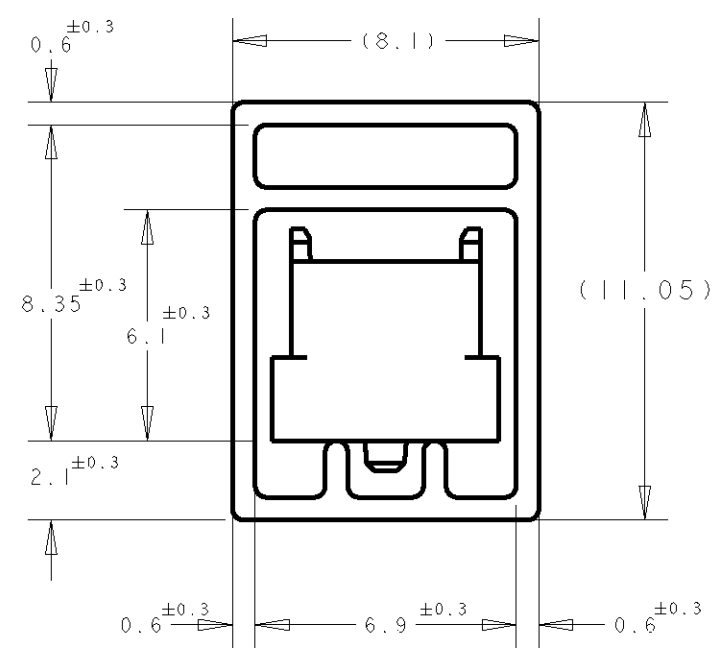
SECT A-A



SECT B-B



REFERENCE PICTURE OF TUBE PACK



DETAIL "B"  
(SCALE 5-1)

5	84.2	85.8	79.2	200	1-	-0
6	76.2	77.8	71.2	180		-9
6	68.2	69.8	63.2	160		-8
7	60.2	61.8	55.2	140		-6
9	52.2	53.8	47.2	120		-5
10	44.2	45.8	39.2	100		-4
12	36.2	37.8	31.2	80		-3
16	28.2	29.8	23.2	60		-2
22	20.2	21.8	15.2	40		179029-1
QTY/ TUBE	C	B	A	POS.	CONN P/N	

<small>THIS DRAWING IS A CONTROLLED DOCUMENT FOR AMP INCORPORATED. IT IS SUBJECT TO CHANGE AND THE CONTROLLING ENGINEERING ORGANIZATION SHOULD BE CONTACTED FOR THE LATEST REVISION.</small>		DWN T.KUSUHARA 30MAR93 CHK I.ENOMOTO 30MAR93 APVD ERIC TNG PRODUCT SPEC - APPLICATION SPEC - WEIGHT -	<b>AMP</b> AMP MANUFACTURING (SINGAPORE) PTE. LTD. NAME PLUG ASSEMBLY 6H TYPE (0.5 BOSS LENGTH) FOR FH 0.8mm PITCH B-T-B CONNECTOR SIZE A3 CAGE CODE 00779 DRAWING NO. C-179029
DIMENSIONS: mm 	TOLERANCES UNLESS OTHERWISE SPECIFIED: 0 PLC ±- 1 PLC ±0.20 2 PLC ±0.25 3 PLC ±0.30 4 PLC ±- ANGLES ±3°	MATERIAL  FINISH	CUSTOMER DRAWING SCALE - SHEET 2 OF 2 REV K